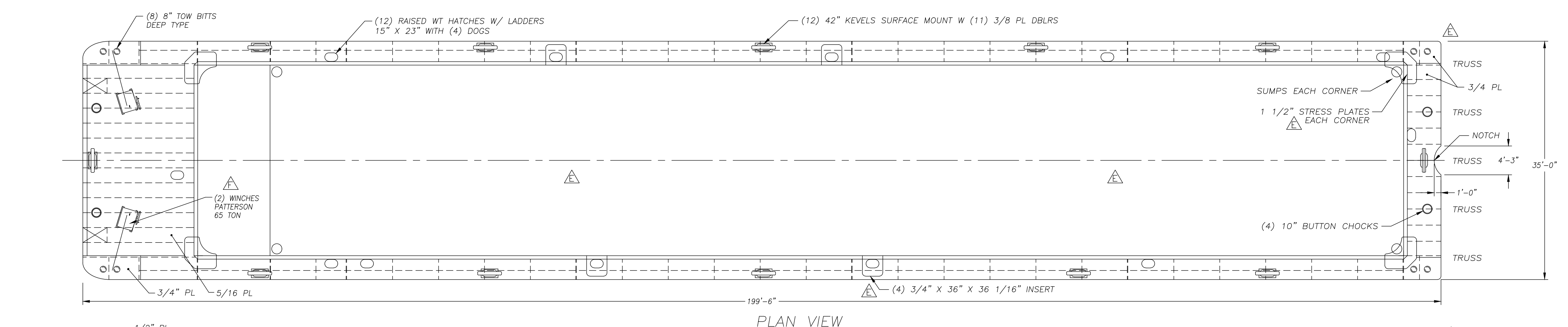
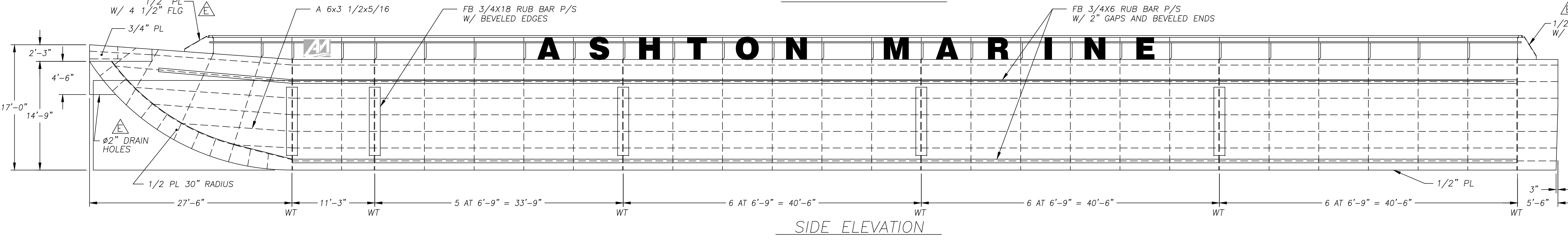


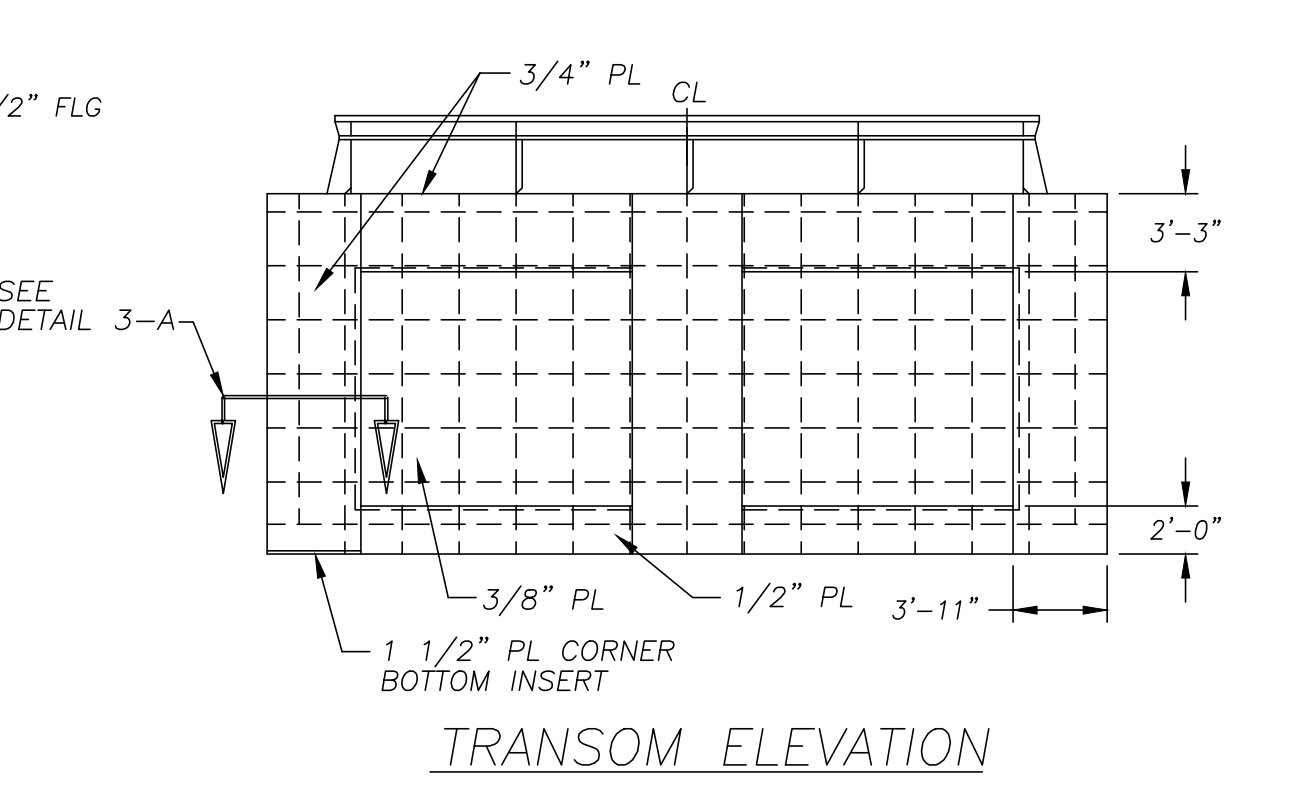
REFERENCE DRAWINGS		
NO.	TITLE	DRAWING NO.
1		



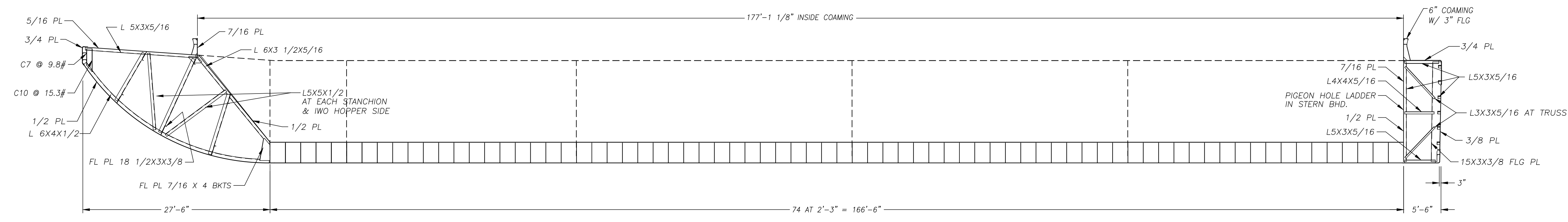
PLAN VIEW



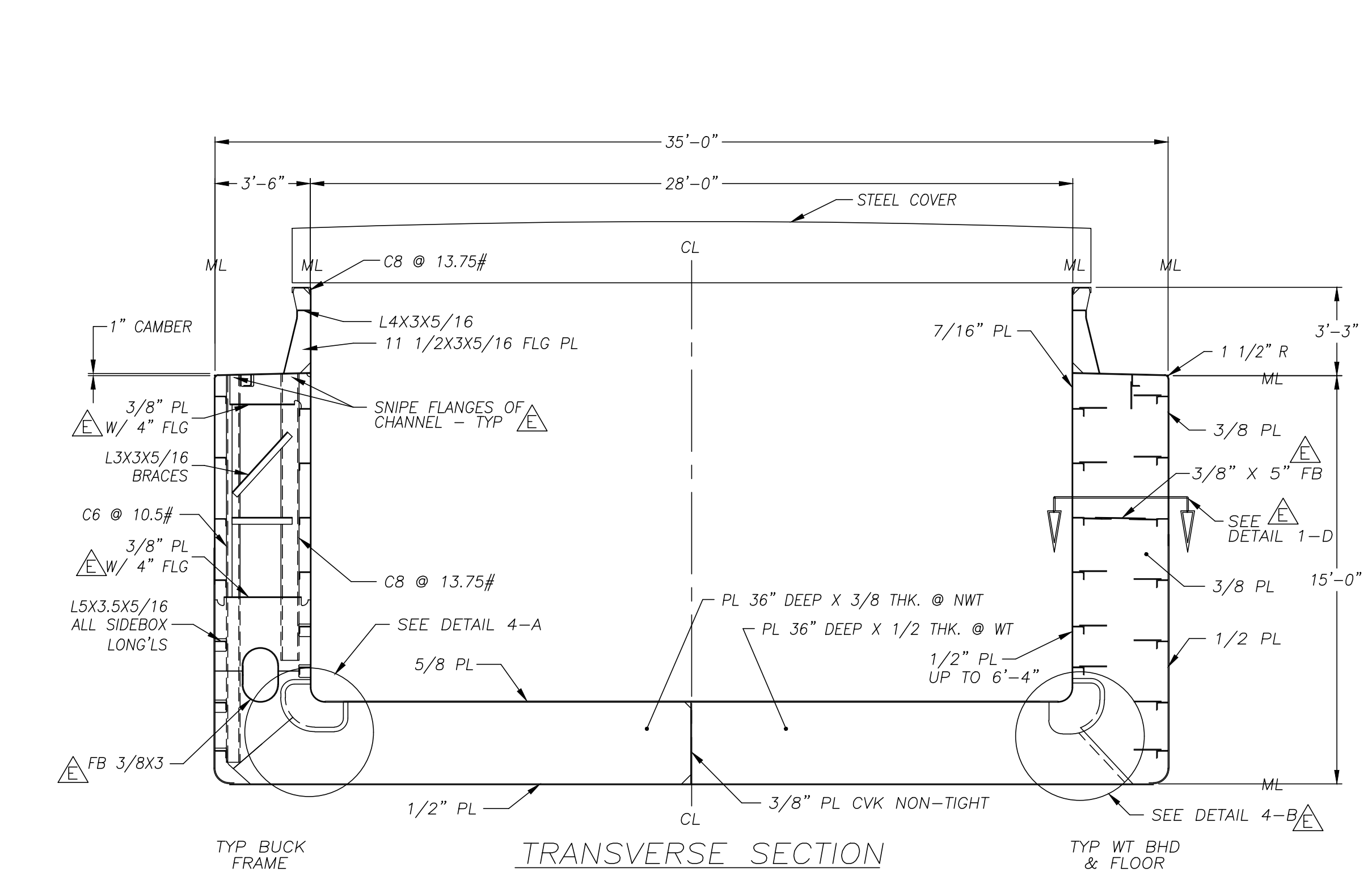
SIDE ELEVATION



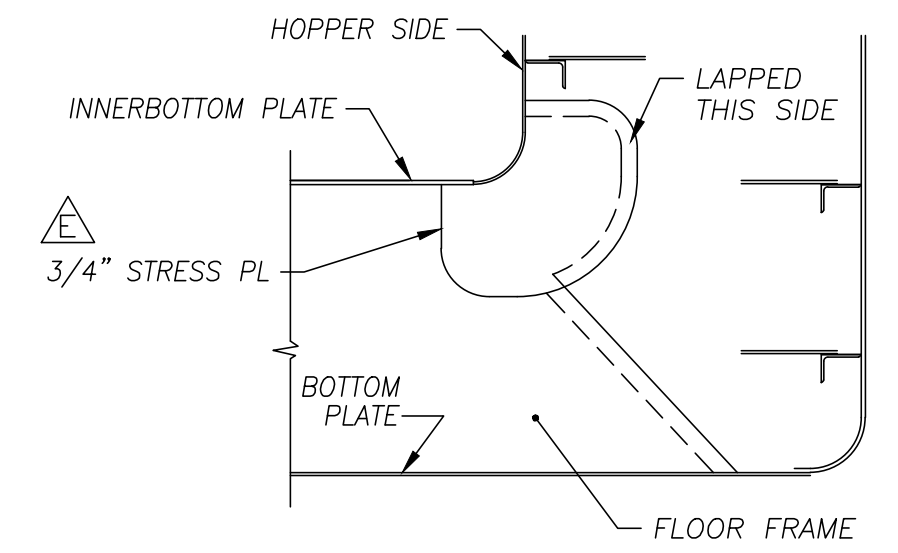
TRANSOM ELEVATION



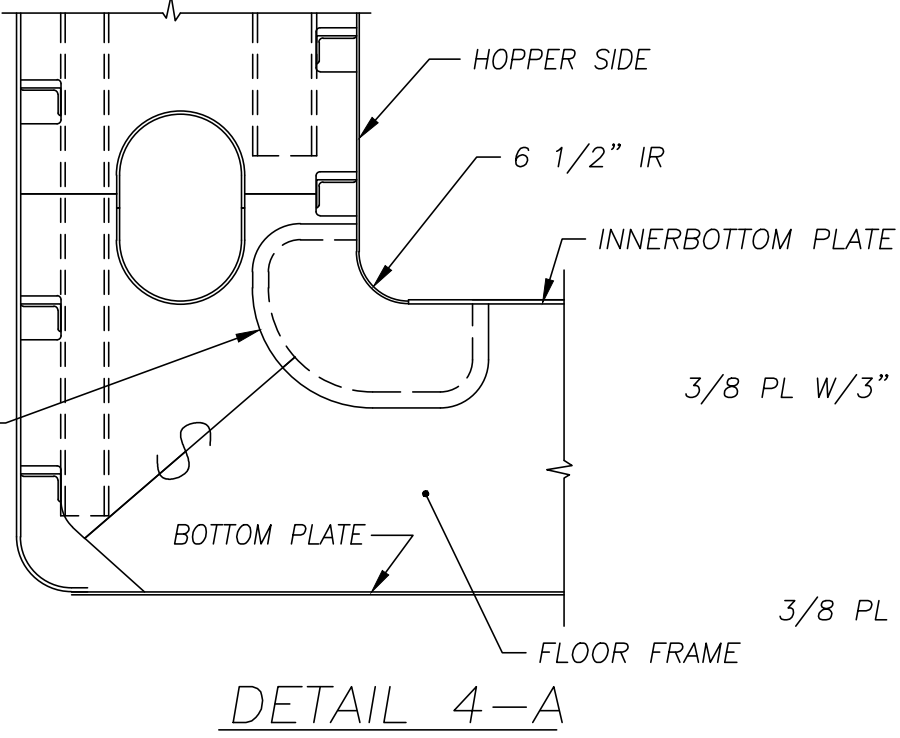
LONG'L. SECTION



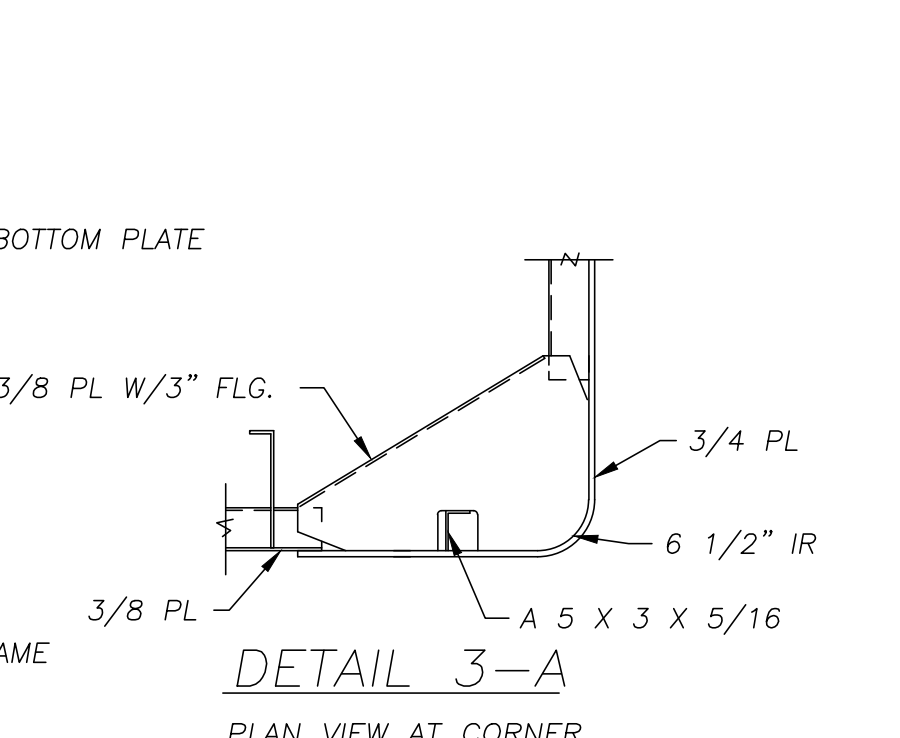
TRANSVERSE SECTION



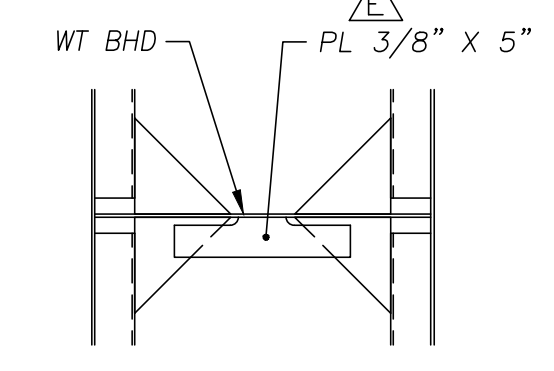
DETAIL 4-B



DETAIL 4-A



DETAIL 3-A



DETAIL 1-D

CARGO TABLE  
SHORT TONS CARGO

DRAFT COVERED	FRESH WATER
9'-0"	1,345
9'-6"	1,451
10'-0"	1,558
10'-6"	1,665
11'-0"	1,772
11'-6"	1,879
11'-7 1/8"	1,899 (GREAT LAKES SUMMER LL)
11'-10 5/8"	1,962 (GREAT LAKES MID SUMMER LL)

TABLE BASED ON AN ESTIMATED HULL WEIGHT OF 493 SHORT TONS

NO.	REVISIONS	BY	DATE
G	REVISE CARGO CHART PER FINAL LOAD LINE	DVW	1-30-18
F	REVISE WINCH DESCRIPTION, REV CARGO CHRT	DVW/KDA	10-27-17
E	REMOVED STRONGBACKS FROM CARGO HOLD. REVISED "AS BUILT" PER ABS COMMENTS S-001 THRU S-003, S-006, & S-013	DFL	10-20-17
D	RMV PIN CONNECTION TO STRONGBACK, UPDATE PROFILE, STERN, RAKE DETAILS TO MTCH PROD.	KDA	7-25-17
C	ADDED PINNED CONNECTION TO STRONGBACK. ADDED LOGO TO WING COAMING.	RCD	5-18-17
B	ADDED WINCHES & DELETED CLOSED CHOCKS AT BOW. ADDED NOTCH AT STERN. REV STERN BUMPS. DELETED SEE DETAIL "4-B" & PRELIMINARY. WING WT BHD PL WAS 5/16. REV CARGO CHART. SHOW TOWKNEES IN PLAN.	RCD/DVW	4-12-17
A	UPDATE HOPPER PLATE SIZES. REV WT FLOORS.	RCD	3-31-17

DISTRIBUTION CODE			
1 CUSTOMER	4 PLANNING AND SCHEDULING	7 ABS-FIELD	
2 SALES DEPARTMENT	5 REPAIR ENGINEERING	8 ABS-NEW YORK	
3 ENGINEERING	6 PURCHASING DEPARTMENT	9 U S COAST GUARD	

PRINT RECORD							
DIST.	NO.	REV.	DATE	DIST.	NO.	REV.	DATE

**JEFFBOAT**  
JEFFERSONVILLE, INDIANA  
GENERAL ARRANGEMENT  
COVERED HOPPER RAKE BARGE  
199'-6" X 35'-0" X 15'-0"

DESIGN NO. HDR 199.5-35-15-3.5-3.25	HULL NO. -----
SCALE 1/8" = 1'-0"	DATE 1-26-17
DRAWN BY RCD	DATE 1-26-17
CHK'D BY _____	DATE _____
APP'D BY _____	DATE _____
CONTRACT NO. -----	BILL OF MATERIAL -----
DRAWING NO. B-23337	REV. -----

THIS PRINT IS THE PROPERTY OF JEFFBOAT  
The information contained herein is confidential and not to be traced, reproduced or used in any manufacturing process without written permission from the owner.  
--ARRANGEMENTS\B-23337