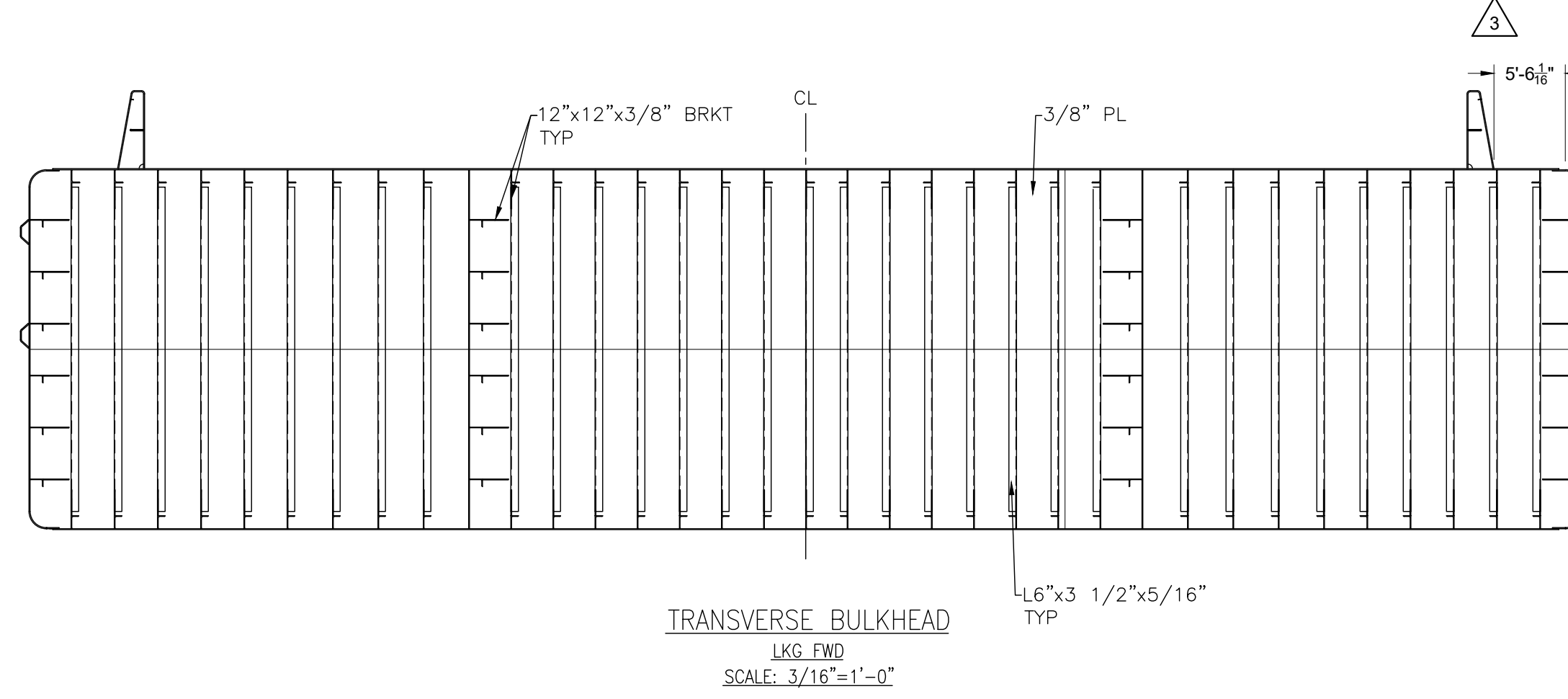
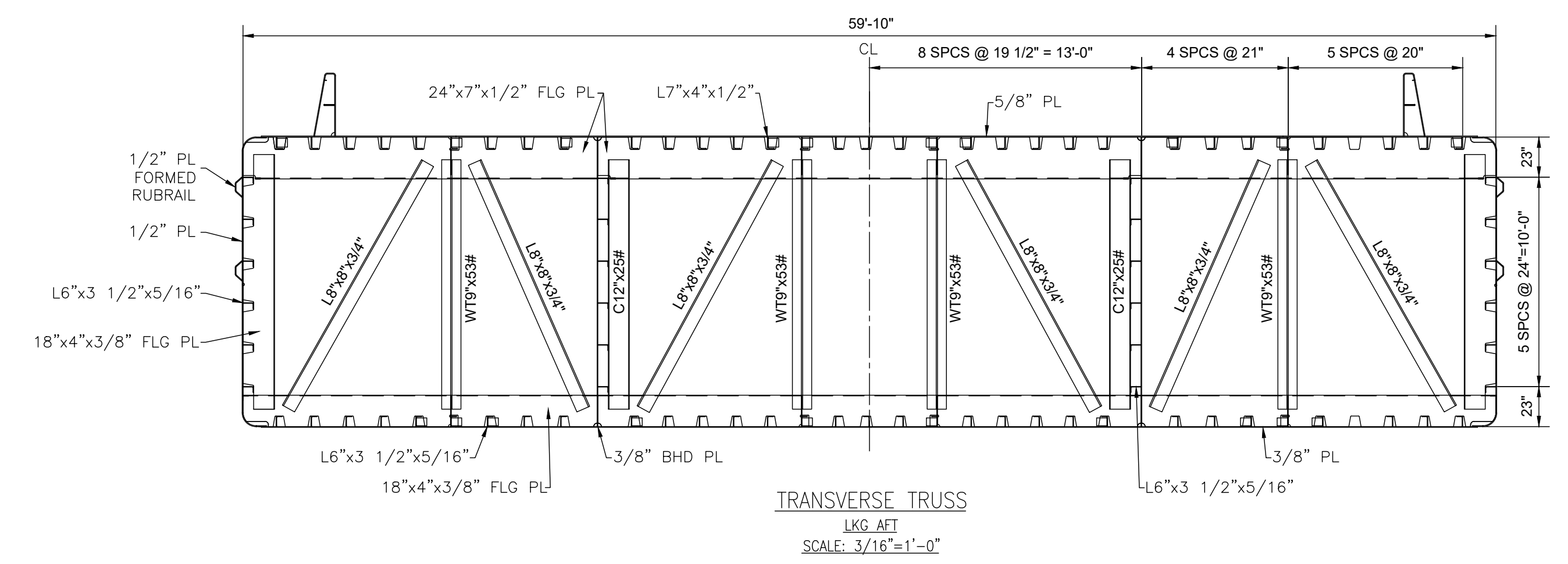
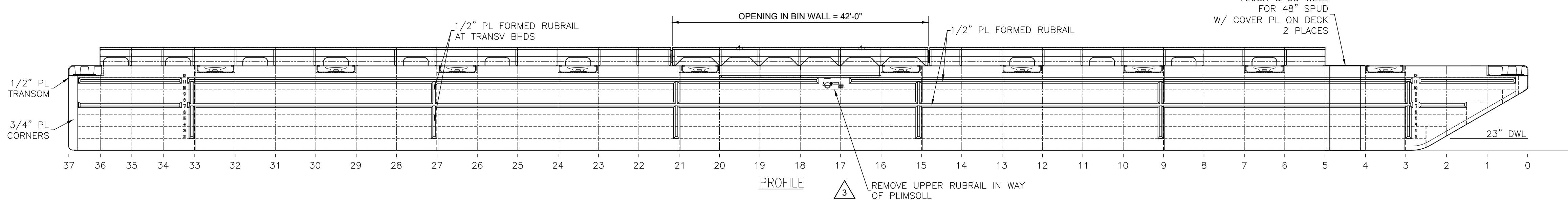
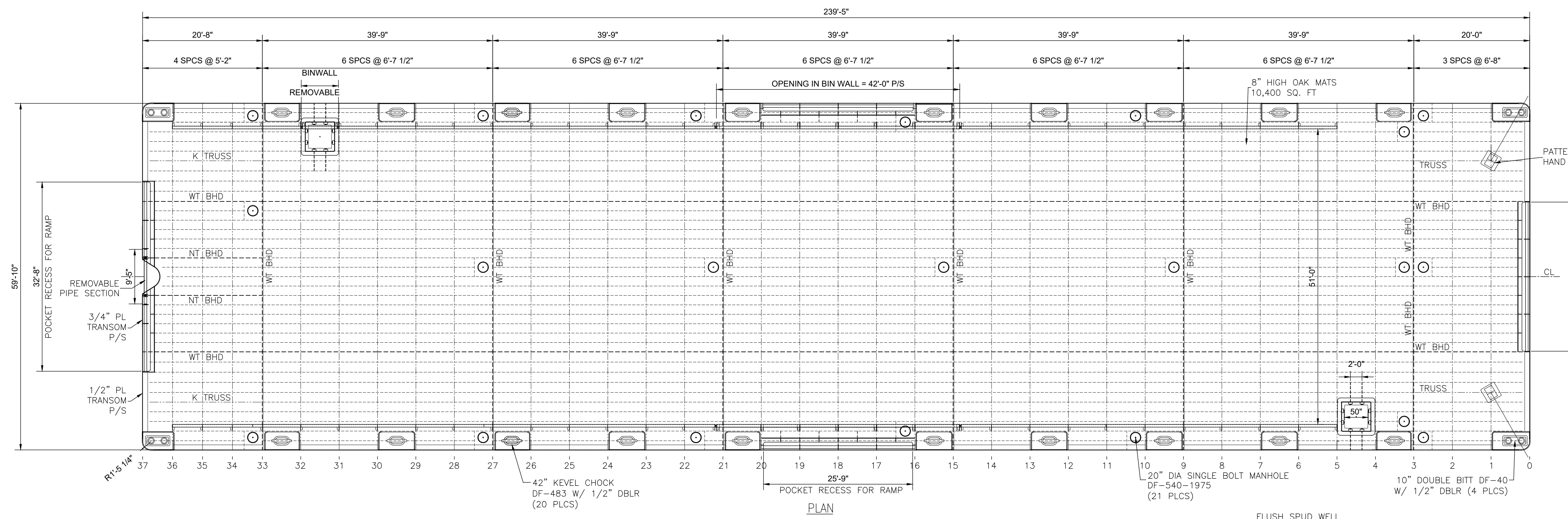


REVISIONS				
REV	ZONE	DESCRIPTION	DATE	BY
1		REVISED BINWALL OPENING P/S TO 42" IN LIEU OF 26" MOVED MANHOLES AFT 3'-0" BETWEEN FR'S 21 AND 22	7/31/20	BKB
2		RELOCATED BINWALL TO 25'-6" OCL, P/S; REVISED RUBRAILS TO FORMED PLATE RUBRAILS; ADDED POCKET RECESSES FOR RAMPS (4 LOCATIONS); REVISED KEVELS TO 42" DF-483; ADDED TWO (2) SPUD WELLS FOR 48" SPUDS; ADDED FULL ABS FULL CLASSIFICATION A1 BARGE	8/10/20	BKB
3	4-B 2-B	UPDATED PLIMSOLL MARK IN PROFILE VIEW. ADDED WALKWAY DIMENSION IN TRANSVERSE BULKHEAD VIEW.	01/06/21	RSS



- NOTES:**
- SCANTLING'S BASED ON BUILDER'S INTERPRETATION OF ABS RULES FOR BUILDING AND CLASSING STEEL VESSELS 2020. BARGE SHALL BE CLASSED **A1 BARGE** AND RECEIVE AN ABS LOADLINE CERTIFICATE.
 - ALL MATERIALS, WELDING PROCEDURES AND TESTING SHALL MEET THE REQUIREMENTS OF ABS RULES.
 - ALL DETAILS OF CONSTRUCTION AND WORKMANSHIP SHALL BE DONE TO MARINE STANDARDS SET FOR OCEAN BARGES.
 - MAX DECK LOAD TO BE 4,000 LB/SF (DRY CARGO).
 - WELDING SHALL BE IN ACCORDANCE WITH ABS STEEL BARGE RULES AND AS SHOWN ON THE SCANTLING PLANS.
 - ALL FIT-UP & WELDING SHALL BE TO THE SATISFACTION OF THE ATTENDING ABS SURVEYOR.

ALL INFORMATION CONTAINED IN OR DISCLOSED BY THIS DOCUMENT IS THE EXCLUSIVE PROPERTY OF CONRAD SHIPYARD, LLC. SUCH INFORMATION IS FURNISHED ON A CONFIDENTIAL BASIS WITH THE EXPRESS UNDERSTANDING THAT IT WILL NOT BE COPIED IN ANY MANNER, USED FOR MANUFACTURE, SOLD, TRANSFERRED OR DISCLOSED TO OTHERS WITHOUT THE EXPRESS WRITTEN CONSENT OF CONRAD SHIPYARD, LLC.



239'-5" x 59'-10" x 13'-10" DECK BARGE				
GENERAL ARRANGEMENT				
HULL	C1297	DWG NO.	801-F1	SHEET 1 OF 1
DRAWN BY:	BKB	CHECKED BY:	RLS	DATE: 07-29-20
				SCALE: 3/32"=1'-0"
				REVISION 3